

EAST®

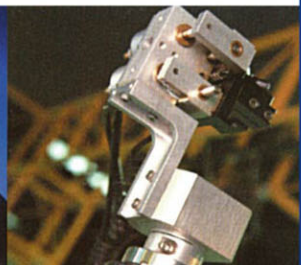
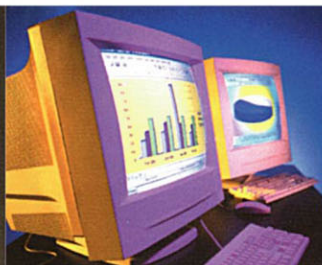
Online UPS

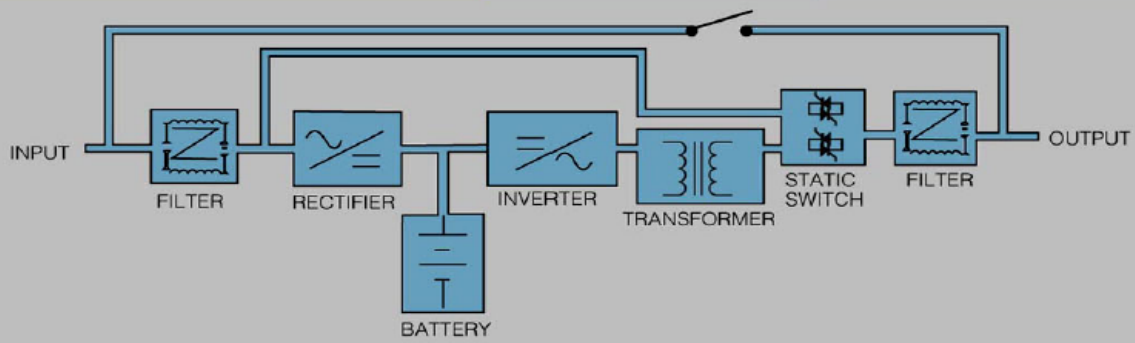
10kVA~200kVA

EA8900 Series (3:3)



- Three phases in, three phases out
- True on-line dual conversion design
- SPWM
- IGBT inverter design.
- **UPS can carry 100% non-balance load**
- Extendable run time
- Generator compatible
- Cold start
- Load/battery capacity display
- Overload, on-line, battery status LED/LCD display
- Advanced Battery Management
- RS-232
- Optional SNMP card





Specifications

Model	EA8910	EA8915	EA8920	EA8930	EA8940	EA8950	EA8960	EA8980	EA89100	EA89120	EA89140	EA89160	EA89200	
Rating	10kVA	15kVA	20kVA	30kVA	40kVA	50kVA	60kVA	80kVA	100kVA	120kVA	140kVA	160kVA	200kVA	
Operating Mode and Principle														
True On-Line, Static Bypass (Uninterruptible Switch), Dual conversion, Output Galvanic Isolation														
AC Input														
Phase	3 Phases + N + G													
Voltage	380V \pm 25%													
Frequency	50/60 Hz \pm 5%													
P.F.	0.92													
Soft Start	0~100% 5s													
Bypass Input														
Phase	3 Phases + N + G													
Voltage	380V \pm 25%													
Frequency	50/60 Hz \pm 5%													
Transfer time	0 ms, Inverter/Bypass (Overload)													
DC System														
Voltage	360V (Rated Voltage)													
	405 V (Float charge voltage)													
	315V (Shutdown Voltage)													
Current	25A	38A	51A	76A	101A	126A	152A	203A	253A	305A	355A	405A	550A	
Current	1A~30A (Adjustable, Charge Current)													
AC Output														
Phase	3 Phases + N + G													
Voltage	380V \pm 1% (Stable Load); 380V \pm 5% (Fluctuated Load)													
Frequency	50~60Hz \pm 0.05% (Battery Mode)													
P.F.	0.8													
Wave	True Sine Wave													
Distortion	Total Harmonic distortion: <3% (Linear Load); <5% (Non-Linear Load)													
Time	Transient Recovery Time: <10 ms													
Overload	125% for 10 Minutes; 150% for 1 Minute													
Cooling	Forced wind													
System														
Efficiency	91%	91%	92%	92%	93%	93%	93%	95%	95%	95%	95%	95%	95%	
Interface	RS232, SNMP													
Temperature	0~40 °C (Operating)													
Humidity	30~90%													
Optional	Isolation Transformer													
	Harmonic Suppression Filter													
	Up to six Parallel Modules													
Noise (db)	48~60			53~65				55~65				60~65		
Dimension (cm)	65x70x135			76x72x145		76x72x160		110x86x168			150x125x180			



EAST UPS EUROPE BV
P.O. Box 152
6820 AD Oosterbeek
The Netherlands

Internet:
www.eastups-europe.com
E-Mail:
info@eastups-europe.com